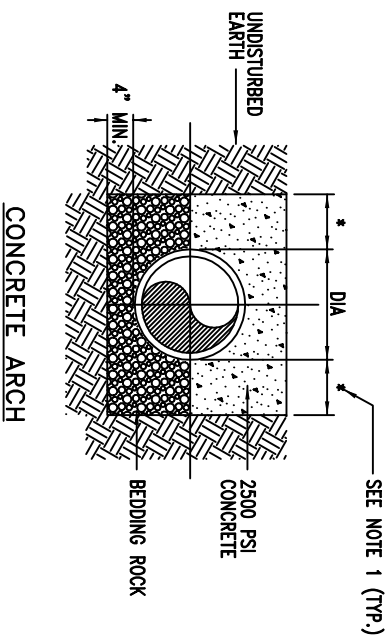


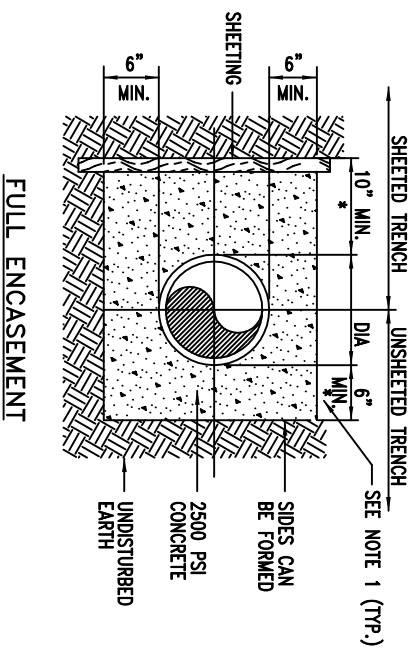
ROADWAY WITH SIDEWALK AND CURB

ROADWAY WITHOUT SIDEWALK AND CURB

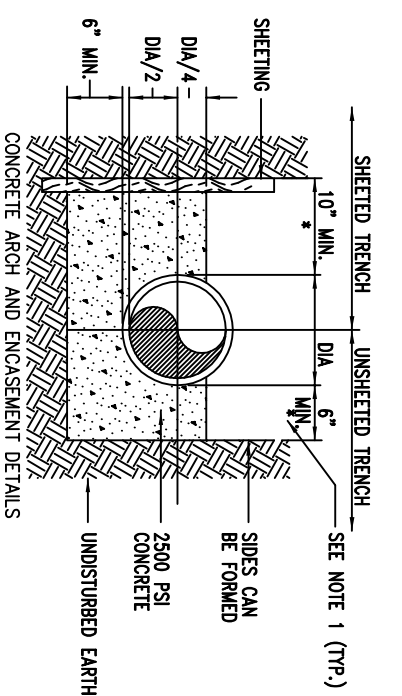
POTABLE WATER SERVICE LOCATION DETAIL



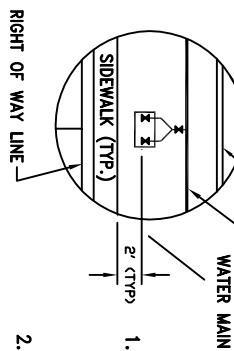
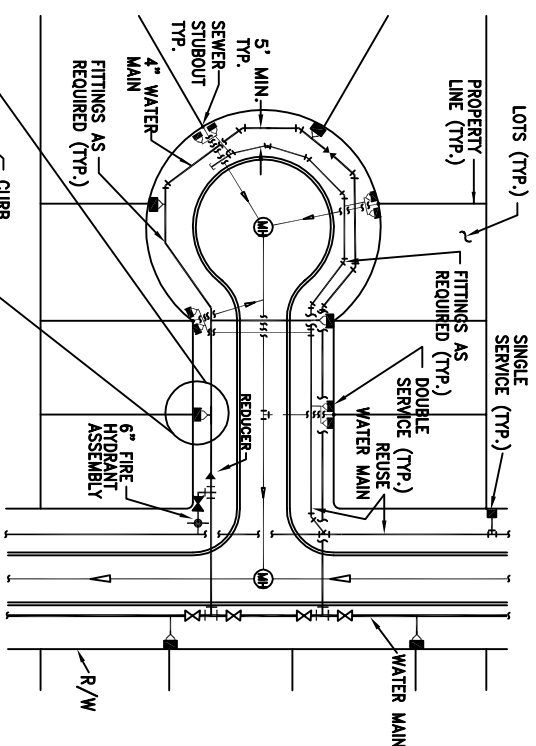
CONCRETE ARCH



FULL ENCASUREMENT

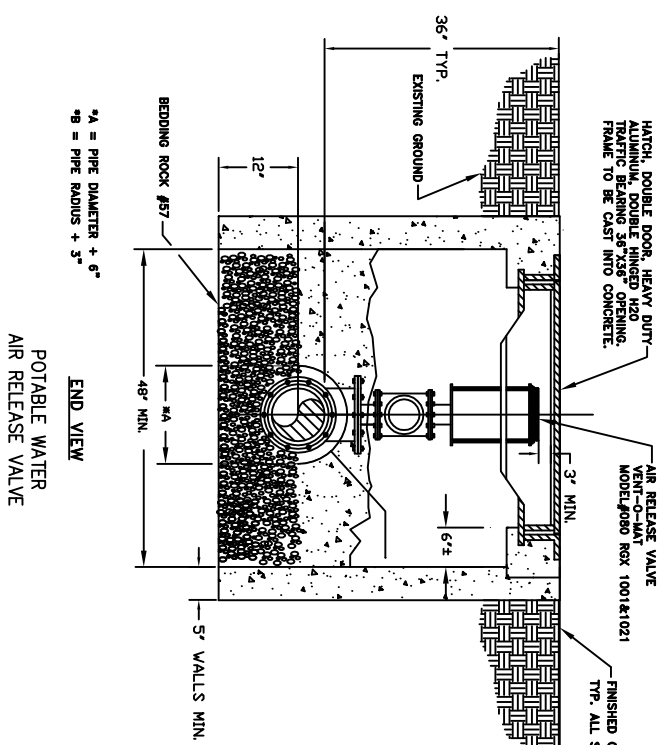


CRADLE OR HALF ENCASUREMENT



- NOTES:
1. ANCHORING TYPE 90° BEND SHALL ONLY BE USED WHERE RIGHT-OF-WAY RESTRICTIONS WILL NOT ALLOW INSTALLATION OF A STRAIGHT ASSEMBLY.
 2. PROVIDE DIAGONAL SERVICE LINES WHERE PROPERTY LINES DO NOT LINE UP.
 3. PROVIDE GPS ID MARKERS AT HYDRANTS, VALVES AND AIR RELEASE VALVES.
 4. PROVIDE PLASTIC MARKERS AT METER SERVICES

POTABLE WATER SERVICE LOCATION DETAIL



POTABLE WATER AIR RELEASE VALVE

- NOTES:
1. (*) 15" MAX. FOR PIPE DIAMETER LESS THAN 24", AND 24" MAX. FOR PIPE DIA. 24" AND OVER.
 2. USE OF CONCRETE ARCH HALF ENCASEMENT OR FULL ENCASEMENT TO BE DETERMINED IN THE FIELD AS DIRECTED BY THE COUNTY.
 3. REFER TO THE MANUAL FOR SHEETING AND BRACING EXCAVATIONS.



CITY OF LAKE WALES

ISSUE CODE	A	PRELIMINARY	B	DESIGN	
C	BIDS	D	CONSTRUCTION	E	APPROVAL
DESIGN	SCALE	N.T.S.	DATE	ENGR.	APPR.
CHK'D BY:	DATE:	ENGR.	APPR.		
DRAWING TITLE	METER LOCATION AND ENCASUREMENT DETAILS				
JOB NO.					
AREA	CITY-OF-LAKE- WALES				
REV.					

ISSUE CODE