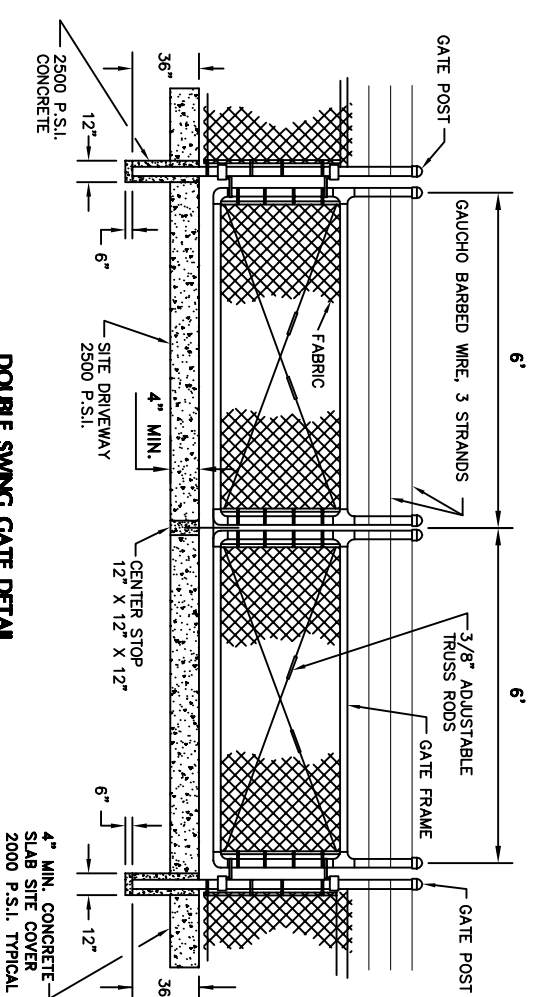
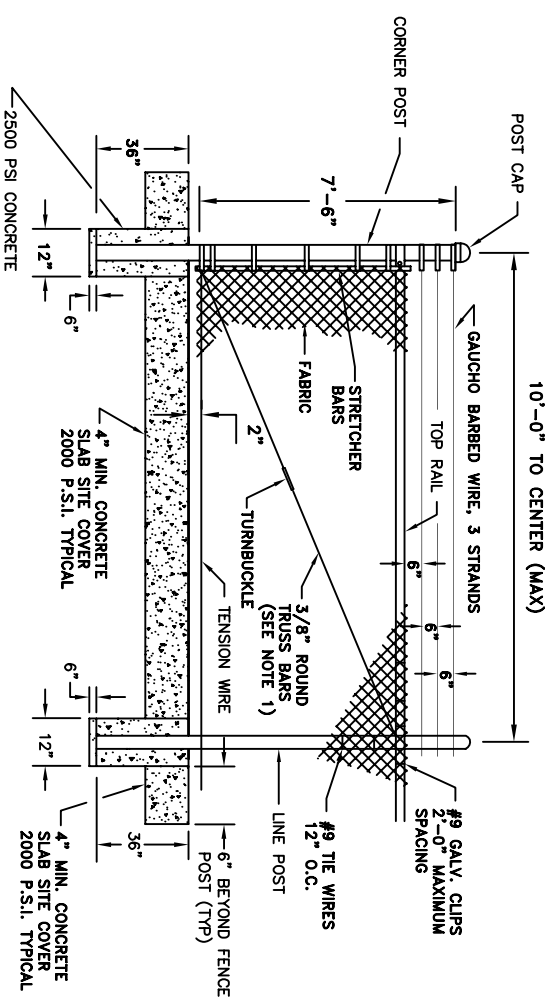


- NOTE:
1. INSTALL TRACING WIRE
  2. INSTALL EARLY WARNING TAPE
  3. MINIMUM OF 4" SERVICE



- NOTES:
1. TRUSS RODS ARE REQUIRED FOR EACH GATE SECTION AND THE FIRST SPAN EACH SIDE OF A CORNER POST ONLY.

**CITY OF LAKE WALES**  
201 CENTRAL AVE  
863-678-4182



REV. DESCRIPTION

ISSUE CODE	A PRELIMINARY	B DESIGN
C BIDS	D CONSTRUCTION	E APPROVAL
DESIGN BY:		
CHK'D BY:		
DRAWN BY:		
DATE:		
ENGR.		

DRAWING TITLE  
**WASTEWATER  
DETAILS**

JOB NO.

ISSUE CODE

SHEET - OF - REV.