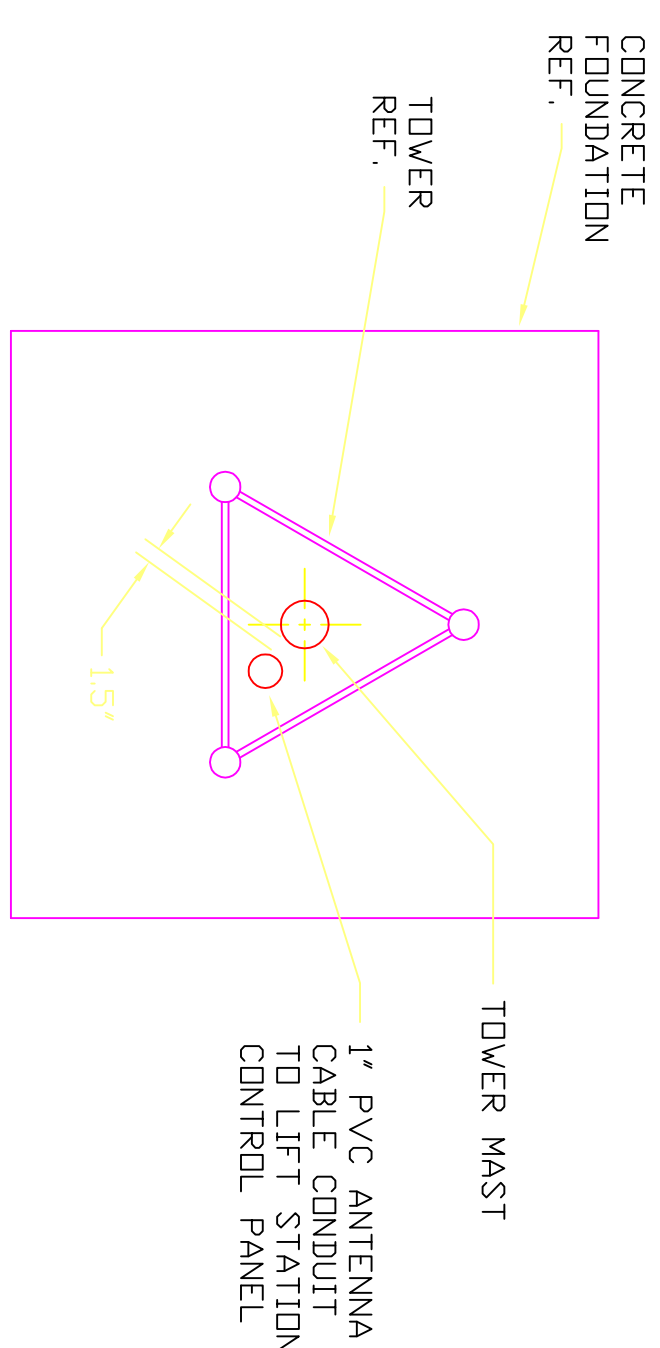
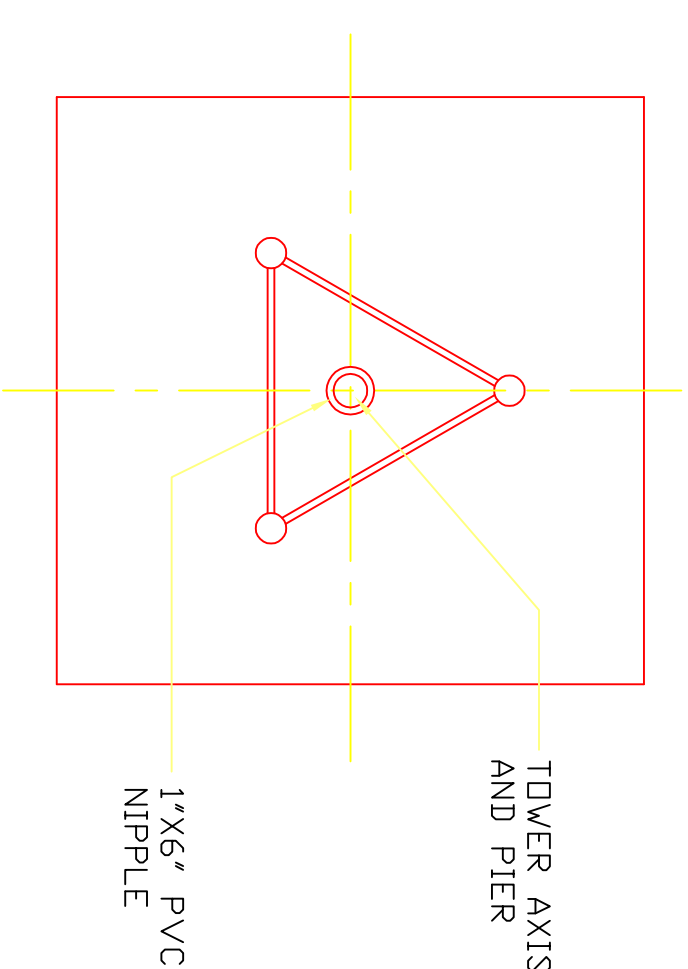


ANTENNA ELEVATION

CONDUIT DETAIL TOP VIEW



SECTION A-A



DETAIL #2 COAX MOUNTING & ROUTING

DETAIL #3 GROUNDING DETAIL

STRUCTURAL DESIGN CODES  
 1. ASCE 7-02  
 2. ANSI/TIA/FA-222-F-1996

NOTES:

1. THE FINAL ANTENNA TOWER REQUIREMENTS SHALL BE BASED ON DFS RADIO STUDY.
2. IT IS THE RESPONSIBILITY OF THE CONTRACTOR TO COORDINATE TOWER LOCATION WITH THE OWNER/ENGINEER. TOWER PLACEMENT IS RECOMMENDED WITHIN 15' OF THE PUMP CONTROL PANEL. A 1" PVC CONDUIT IS REQUIRED FROM THE CONTROL PANEL TO THE ANTENNA TOWER WHEN RUNNING COAX CABLE UNDERGROUND. A FEMALE ADAPTER OR WEATHERHEAD IS REQUIRED ON THE TOWER SIDE OF THE CONDUIT. ALL REQUIRED CONDUIT SHALL BE PROVIDED AND INSTALLED BY THE CONTRACTOR.
3. GROUNDING AND BONDING OF THE ANTENNA TOWER, TOWER GROUND ROD, PUMP CONTROL PANEL AND POWER UTILITIES GROUND ROD ARE THE RESPONSIBILITY OF THE CONTRACTOR. THE GROUND LUGS AND TAPS FOR ALL LOCATIONS MUST BE BONDED TOGETHER USING A CONTINUOUS SINGLE 6 AWG SOLID BARE COPPER WIRE MINIMUM.



CITY OF LAKE WALES  
 1200 WASHINGTON BLVD.  
 LAKE WALES, FLORIDA 33853

NOTE:  
 1. The information on this map is provided by the Department of Utilities.

2. The location of utilities are to be located by a utility locator or by a utility company.

3. For more information call UTILITIES at 863-678-4189 or fax 863-678-4074

DESIGN:	A PRELIMINARY	B DESIGN
C BIDS:	D CONSTRUCTION	E APPROVAL
DESIGN:	AND CHK'D BY:	SCALE: N.T.S.
DATE:	9/1/07	ENGR. APPR.

DRAWN BY: JHH-34243  
 DRAWING TITLE: LIFT STATION DFS ANTENNA DETAILS

ISSUE CODE	
AREA	CITY-OF-LAKE-WALES
REV	0

JOB NO. WASTEWATER ANTENNA DETAILS