

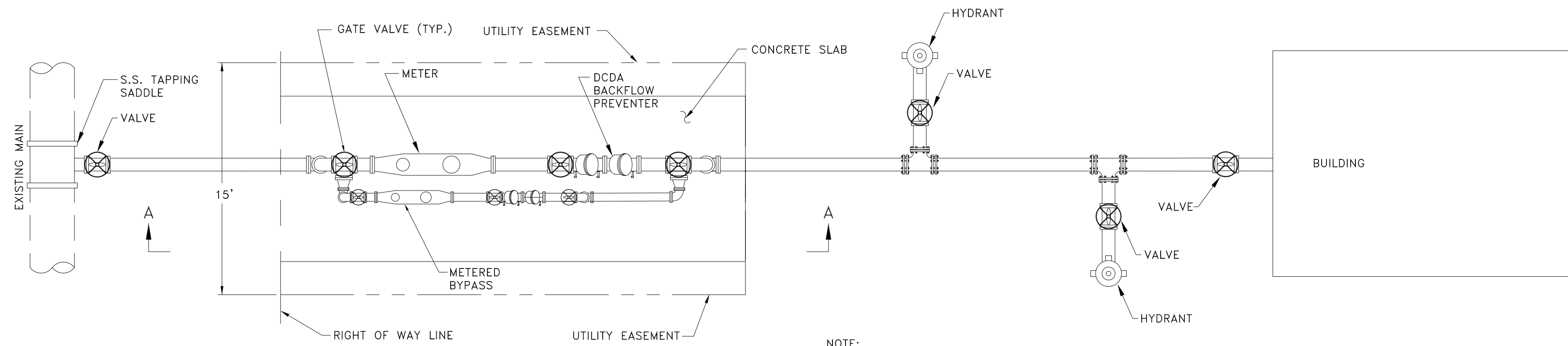
SECTION A-A
FIRE LINE SYSTEM TO BUILDING

NOTE :

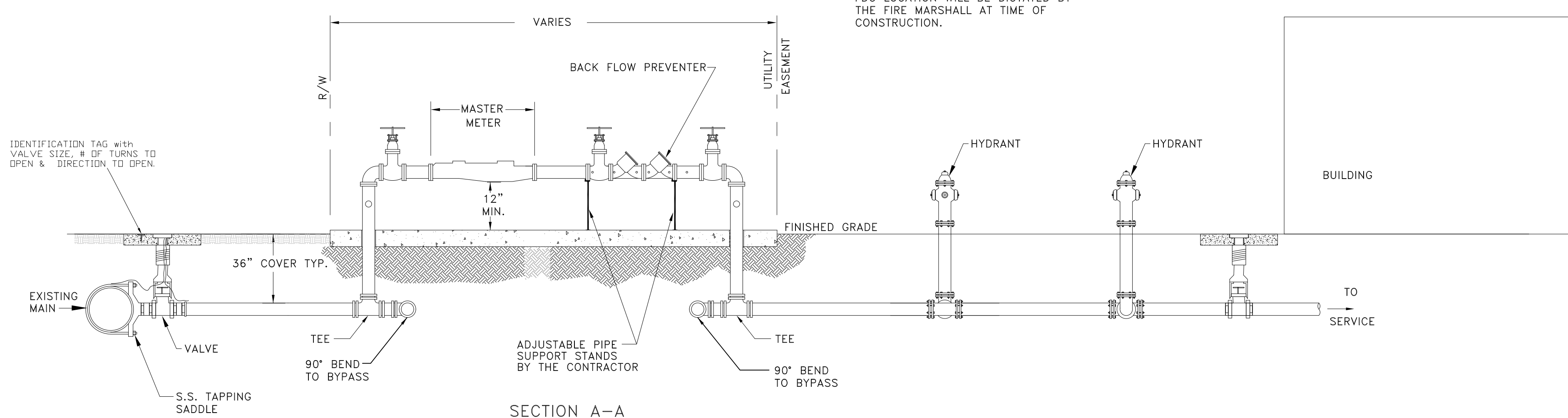
NFPA 24 AND 25
SHOULD BE APPLIED
ON FIRE SYSTEM.

PAINT FIRE LINE
SYSTEM RED BUT DO
NOT PAINT BRASS.

PAINT POTABLE METER
ASSEMBLY BLUE WHEN
COMPLETED BUT DO
NOT PAINT BRASS.



NOTE:
FDC LOCATION WILL BE DICTATED BY
THE FIRE MARSHALL AT TIME OF
CONSTRUCTION.



SECTION A-A
POTABLE SYSTEM TO BUILDING WITH PRIVATELY MAINTAINED HYDRANTS

ISSUE CODE
MODIFIED MJC 05-22-18

CITY OF LAKE WALES
LAKE WALES, FLORIDA 33853

ISSUE CODE	A PRELIMINARY	B DESIGN
C BIDS	D CONSTRUCTION	E APPROVAL
DESIGN:	SCALE: N.T.S.	
CHK'D BY:	DATE:	
DRAWN BY:	ENGR. APPR.	
DRAWING TITLE		
FIRE LINE SYSTEM		
JOB NO.		
AREA	REV.	
CITY-OF-LAKE-WALES		