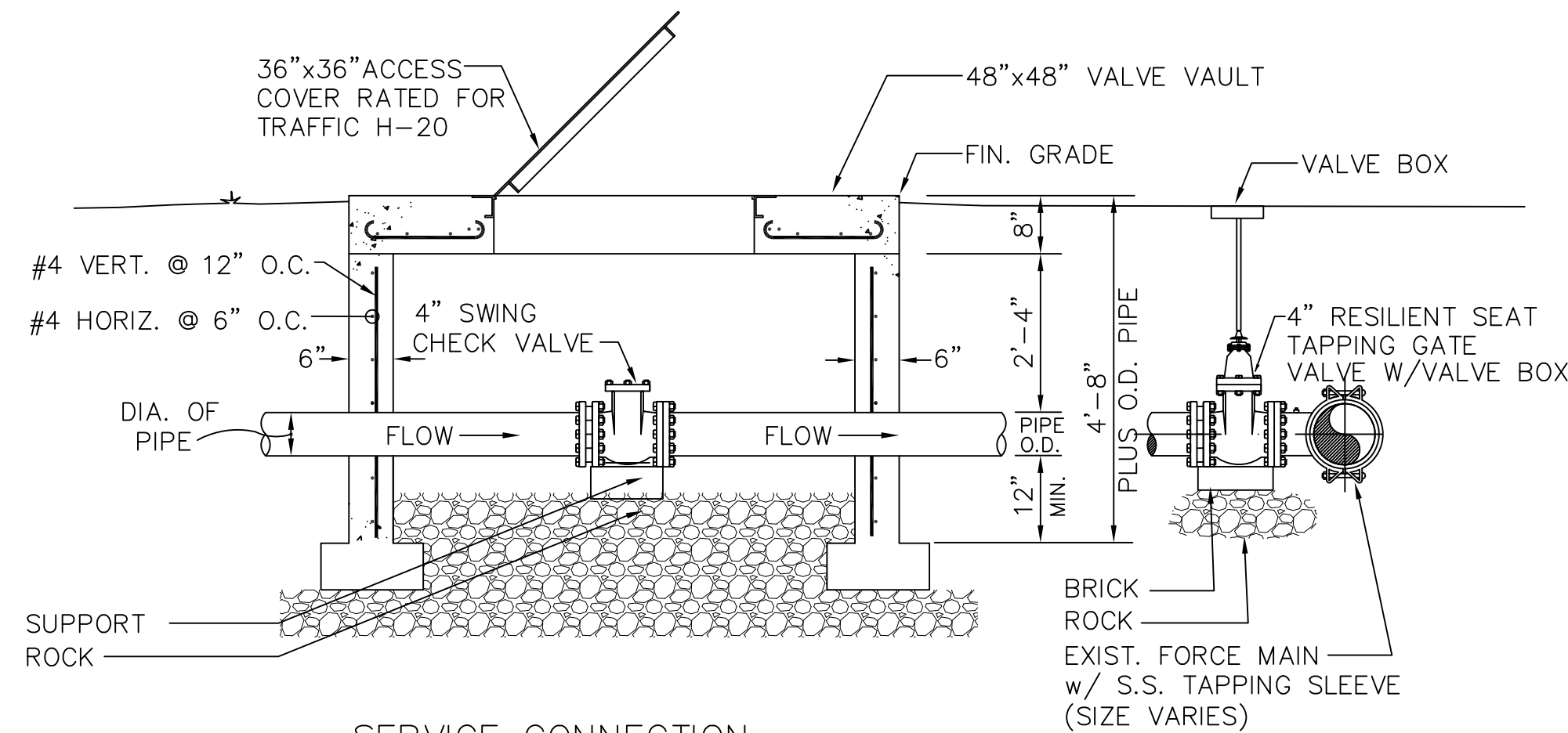
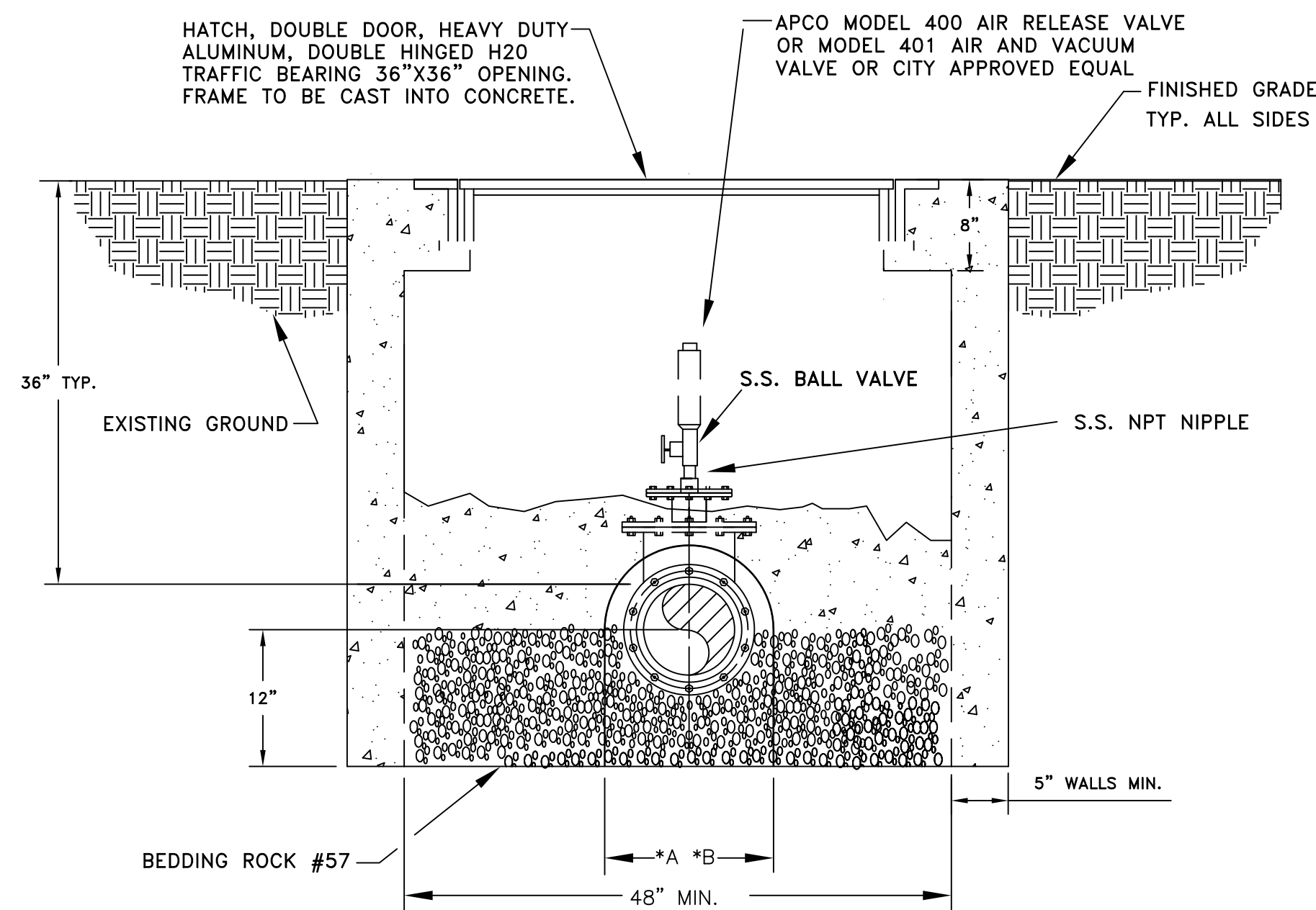


TOP SLAB REINFORCING



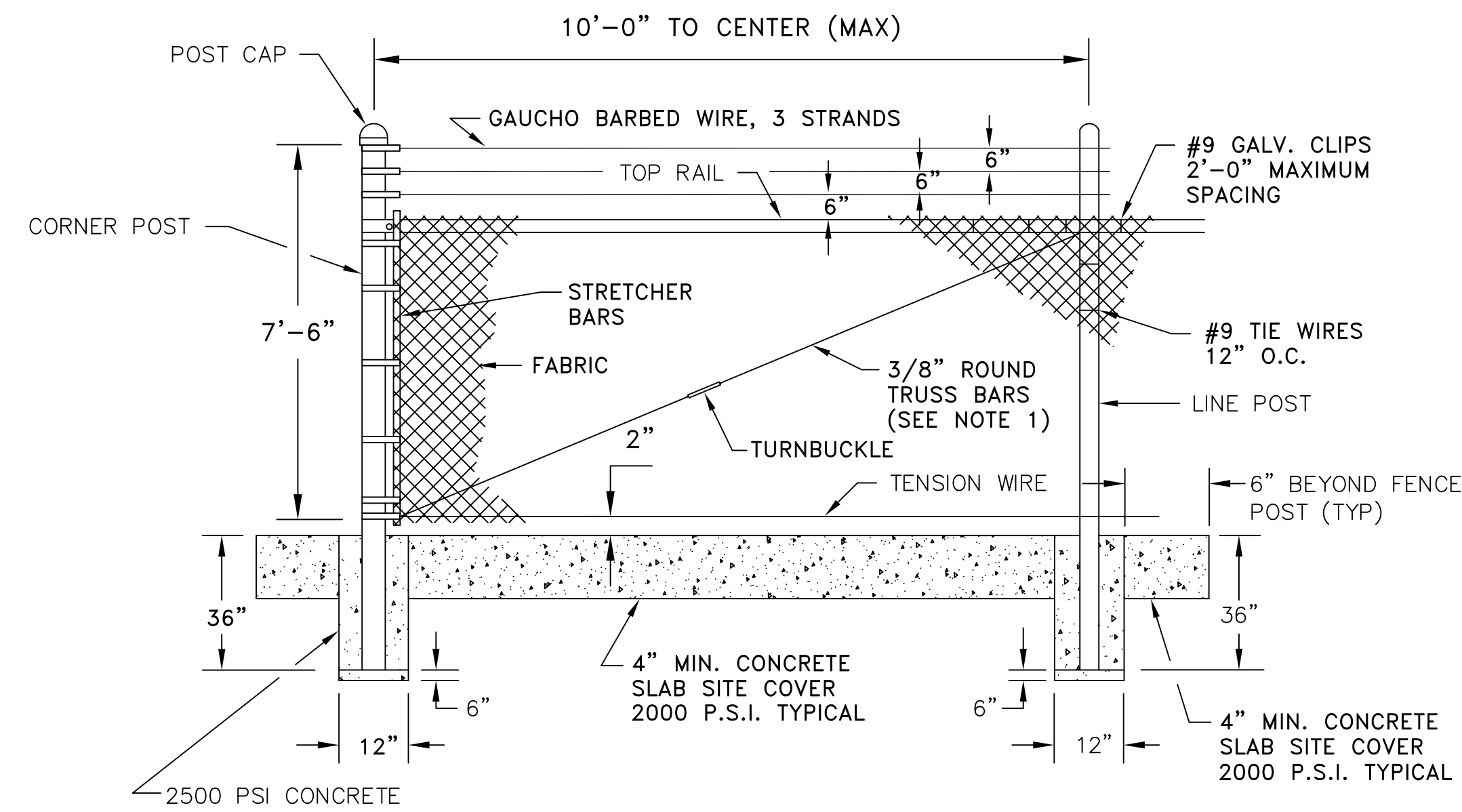
SERVICE CONNECTION FOR EXISTING FORCEMAIN

- NOTE:
 1. INSTALL TRACING WIRE
 2. INSTALL EARLY WARNING TAPE
 3. MINIMUM OF 4" SERVICE

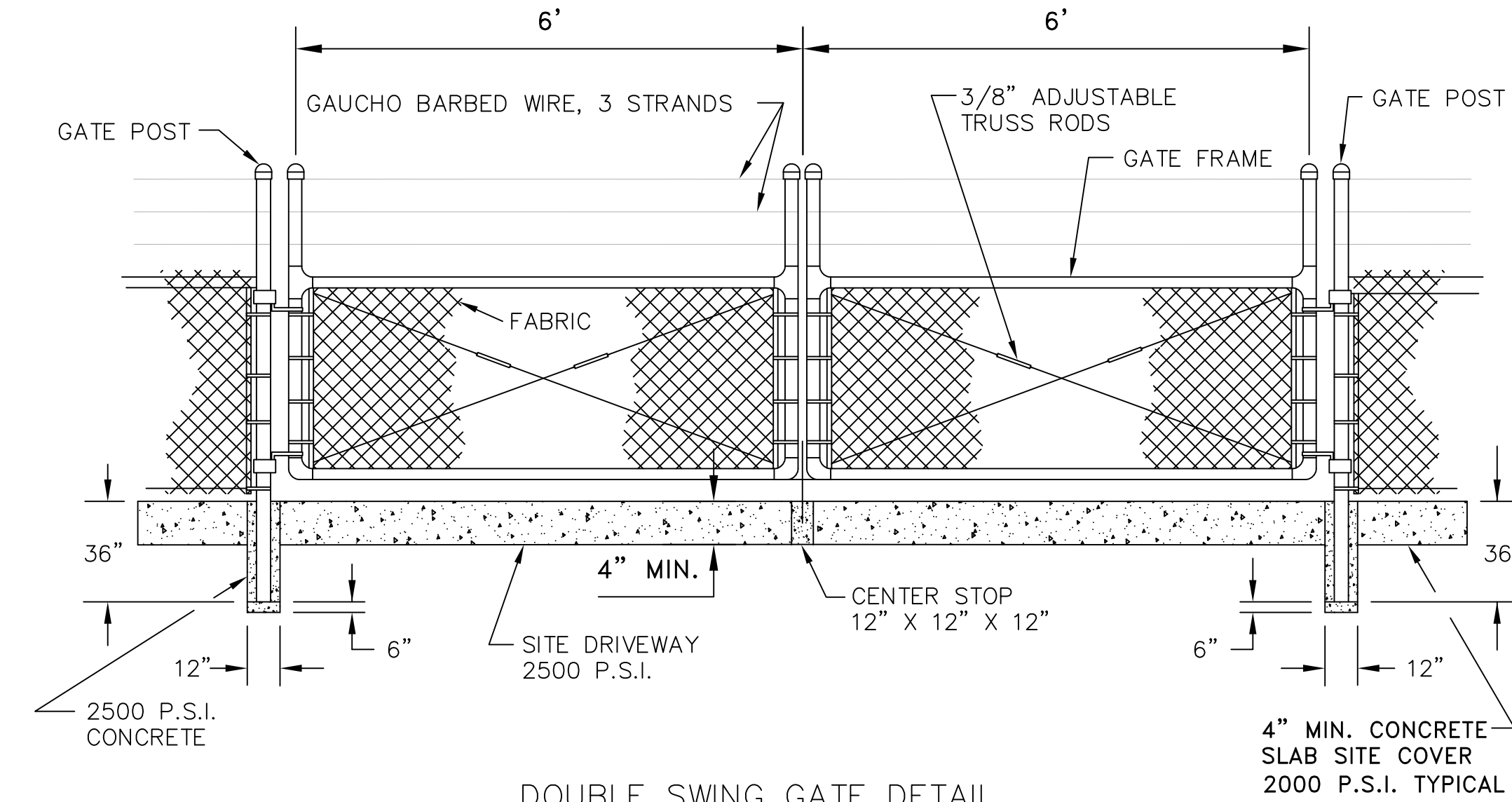


END VIEW
 FORCE MAIN
 AIR RELEASE VALVE

- *A = PIPE DIAMETER + 6"
 *B = PIPE RADIUS + 3"



FENCE DETAIL



DOUBLE SWING GATE DETAIL

- NOTES:
 1. TRUSS RODS ARE REQUIRED FOR EACH GATE SECTION AND THE FIRST SPAN EACH SIDE OF A CORNER POST ONLY.

ISSUE CODE
 MODIFIED MJC 05-23-18

CITY OF LAKE WALES
 201 CENTRAL AVE 863-678-4182



REV. DESCRIPTION

ISSUE CODE	A PRELIMINARY	B DESIGN
C BIDS	D CONSTRUCTION	E APPROVAL

DESIGN BY:
 CHK'D BY: DATE:
 DRAWN BY: ENGR.

DRAWING TITLE
 WASTEWATER
 DETAILS

JOB NO.

SHEET — OF — REV.