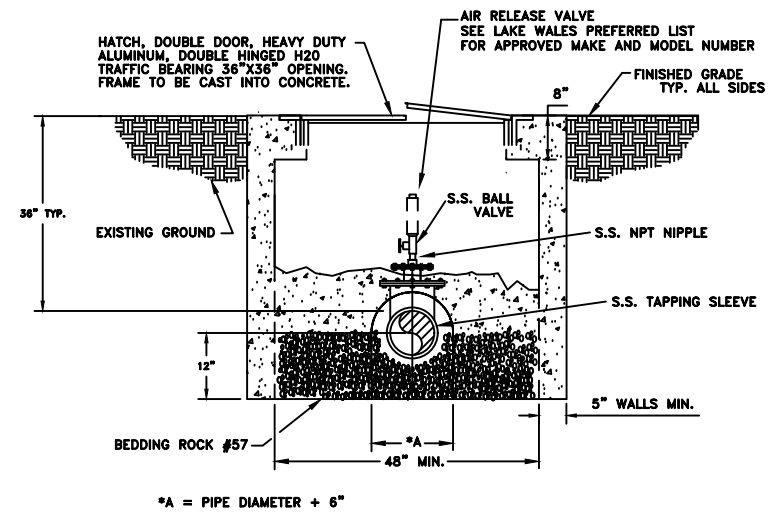
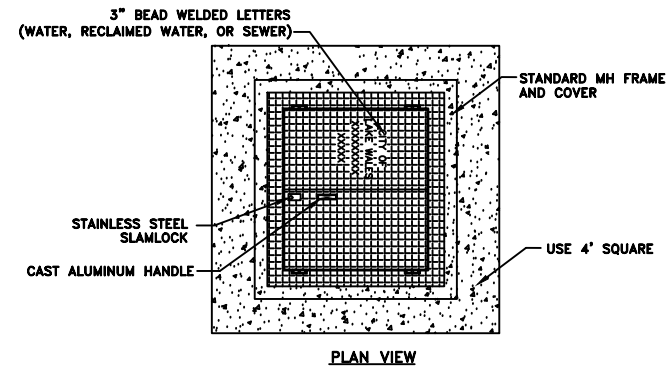
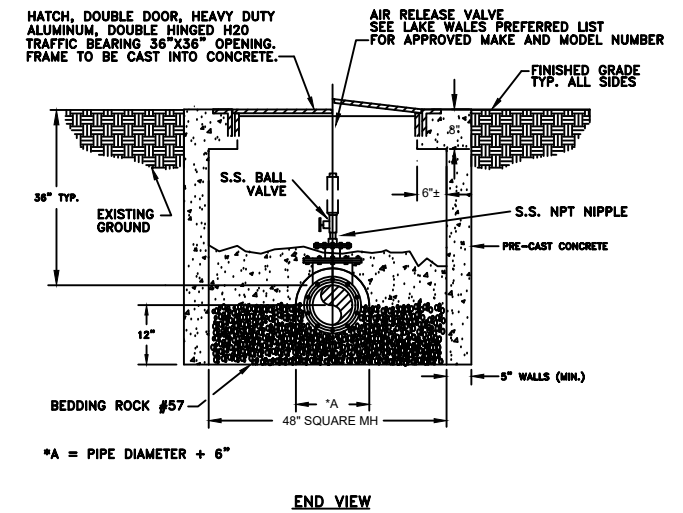


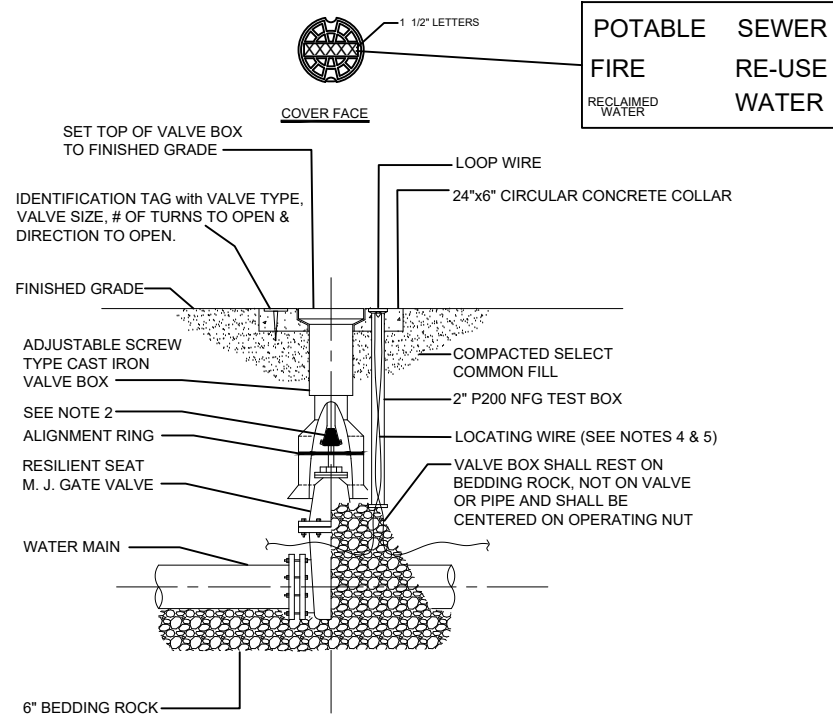
STAINLESS STEEL TAPPING SLEEVE WITH MJ OUTLET



AIR RELEASE VALVE



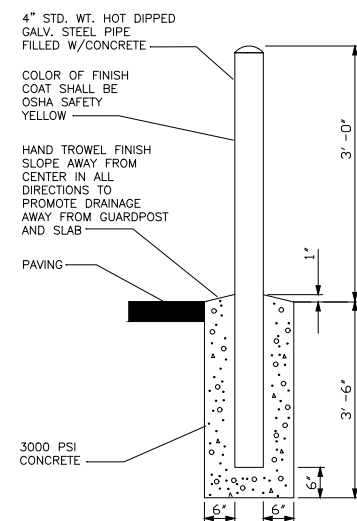
AIR RELEASE VALVE



NOTES:

- 6" DIA. PVC PIPE IS PERMITTED FOR USE AS VALVE BOX EXTENSION.
- THE ACTUATING NUT FOR DEEPER VALVES SHALL BE 2.5 FEET BELOW FINISHED GRADE. EXTENSIONS SHALL BE PROVIDED AS REQUIRED.
- VALVE BOX LIDS SHALL BE ROUND FOR WATER AND REUSE AND MARKED AS SUCH.
- A TRACER WIRE SHALL BE A BLUE-COATED (WATER), GREEN COATED (SEWER), OR PURPLE COATED (REUSE) #10 COPPER HEAD HIGH STRENGTH (HS) SOLID TRACER AND JOINT SEAL SHALL BE INSTALLED ALONG ALL PIPE AND SERVICE. TRACER WIRE SHALL BE TAPED TO THE PIPE AND STUBBED UP AT ALL HYDRANTS AND VALVES.
- LOCATING WIRE SHALL TERMINATE AT THE TOP OF EACH TEST BOX AND BE CAPABLE OF EXTENDING 12" ABOVE TOP OF BOX IN SUCH A MANNER SO AS NOT TO INTERFERE WITH VALVE OPERATION.

GATE VALVE AND BOX DETAIL



GUARDPOST DETAIL

NOTE:
1. USE TAPPING SADDLE FOR 4" DIA AND SMALLER RECLAIMED WATER MAIN AND TEE WITH BLIND FLANGE FOR 6" DIA AND LARGER RECLAIMED WATER LINE.

ISSUE CODE	MODIFIED	MJC	04-13-22
	MODIFIED	MJC	06-02-22

CITY OF LAKE WALES
201 CENTRAL AVE 863-678-4182

REV.	DESCRIPTION

ISSUE CODE	A PRELIMINARY	B DESIGN
C BIDS	D CONSTRUCTION	E APPROVAL
DESIGN BY:		
CHK'D BY:		DATE:
DRAWN BY:		ENGR.
DRAWING TITLE		
UTILITY DETAILS		
JOB NO.		
SHEET	1 OF 1	REV.