

- NOTES: ASPHALT PAVING ACCESS AS REQUIRED
- FENCED AREA TO BE 4" MONOLITHIC CONCRETE PAD.
 - INFLUENT MAIN SHALL BE CLEAR OF PANEL AND VAULT.
 - WATER SERVICE TO L.S. MUST BE SUPPLIED WITH 1-1/2" R.P.Z. BACKFLOW PREVENTER INSIDE FENCE.
 - ACCESS ROAD TO HAVE 12" STABILIZED SUBBASE COMPACTED TO 98% MAXIMUM DENSITY AS DETERMINED BY AASHTO T-180 ADD EITHER 8" CONCRETE OR 8" BASE COMPACTED TO 100% MAXIMUM DENSITY AS DETERMINED BY AASHTO T-180 W/ 2" ASPHALT
 - CONTROL PANEL TO FACE NORTH OR SOUTH IF POSSIBLE.
 - FORCE MAIN PIPING MUST HAVE A GREEN-COATED #10 COPPER HEAD HIGH STRENGTH (HS) SOLID TRACER WIRE AND JOINT SEAL SHALL BE INSTALLED ALONG ALL PIPE. TRACER WIRE SHALL BE TAPED TO ALL VALVES.

Fencing Specifications:

Fabric: 72" High, 9 Gauge, 2" Mesh, Green Vinyl Coated Fencing
 Line Post: 2" x 8' - 0.065" Thickness
 Terminal Posts: 2 1/2" x 8' - 0.065" Wall Thickness
 Gate Posts: 1-3" x 9' - sch.40.
 Top Rail: 1 1/8" O.D. - 0.065" Wall Thickness
 Gate Frame: 1 1/8" O.D. - 0.065" Thickness
 Barbed Wire: None
 Tension Wire: 9 Gauge Green Vinyl Coated
 All post set 10' O.C. in Concrete Footing
 All Pipe is Green Vinyl Coated

TYPICAL LIFT STATION LAYOUT

REQUIRED LIFT STATION INFORMATION

PUMP DATA:

MANUFACTURER, _____

MOD. No. _____ IMP. No. _____ MOTOR, _____ HP, _____

RPM, _____

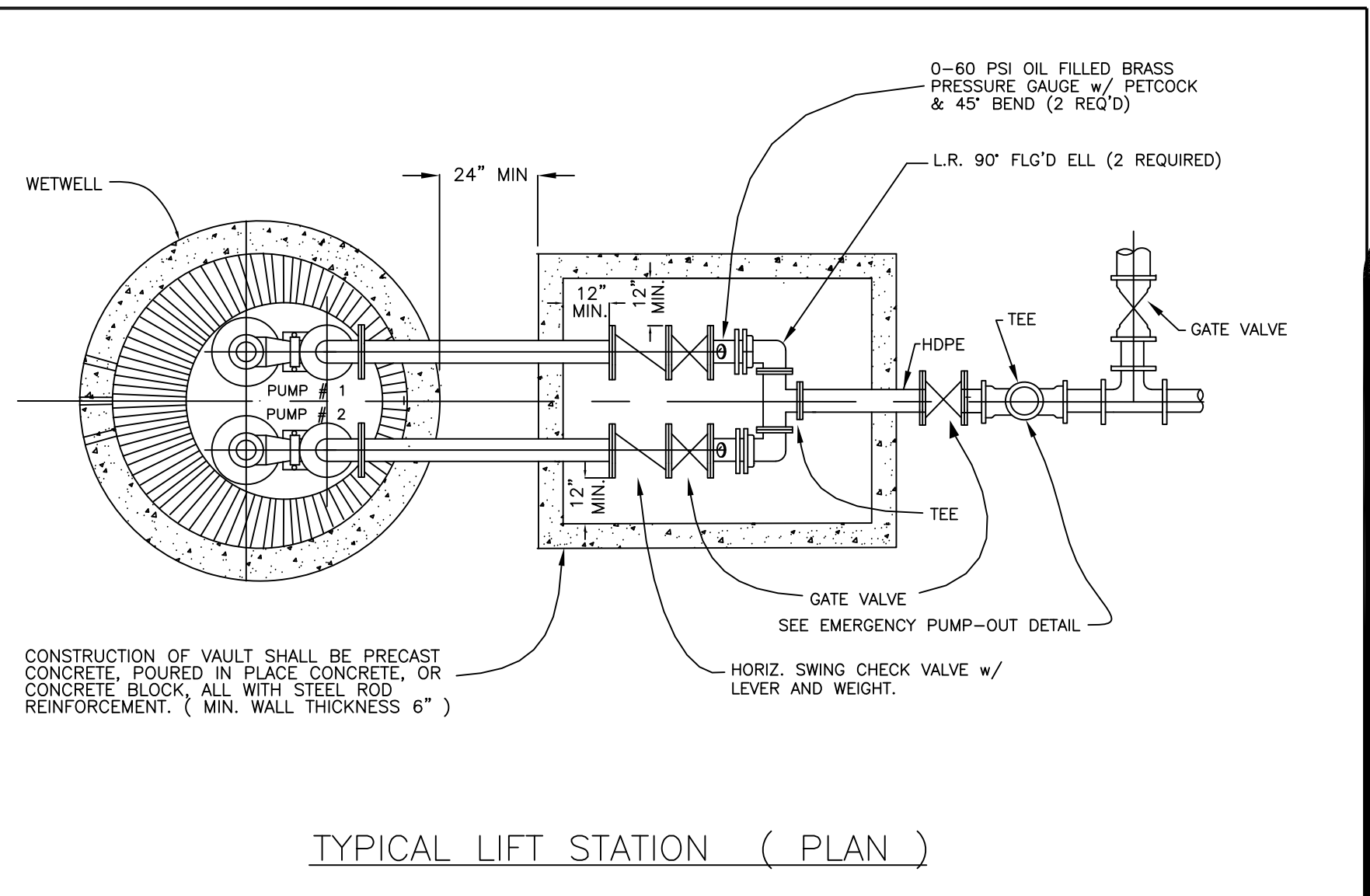
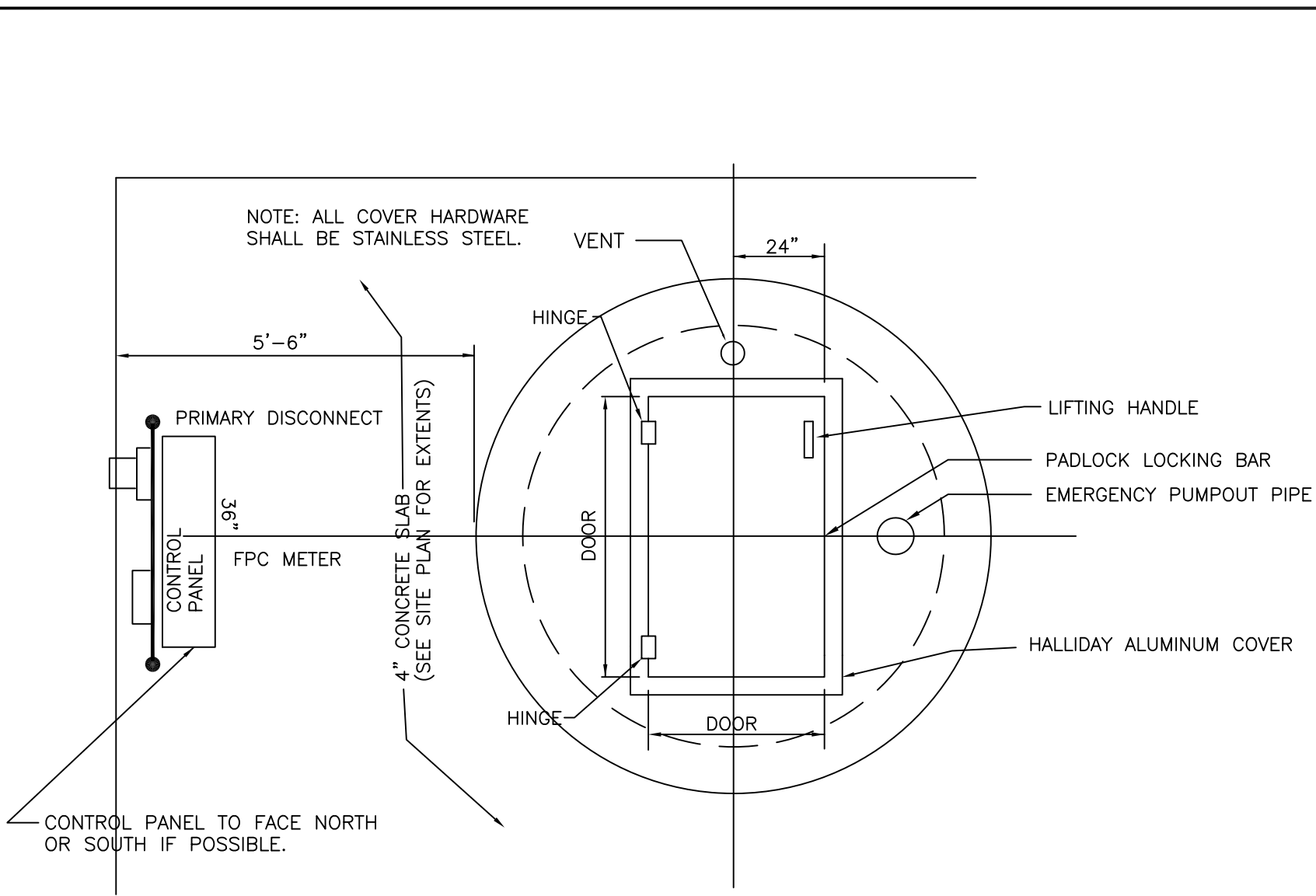
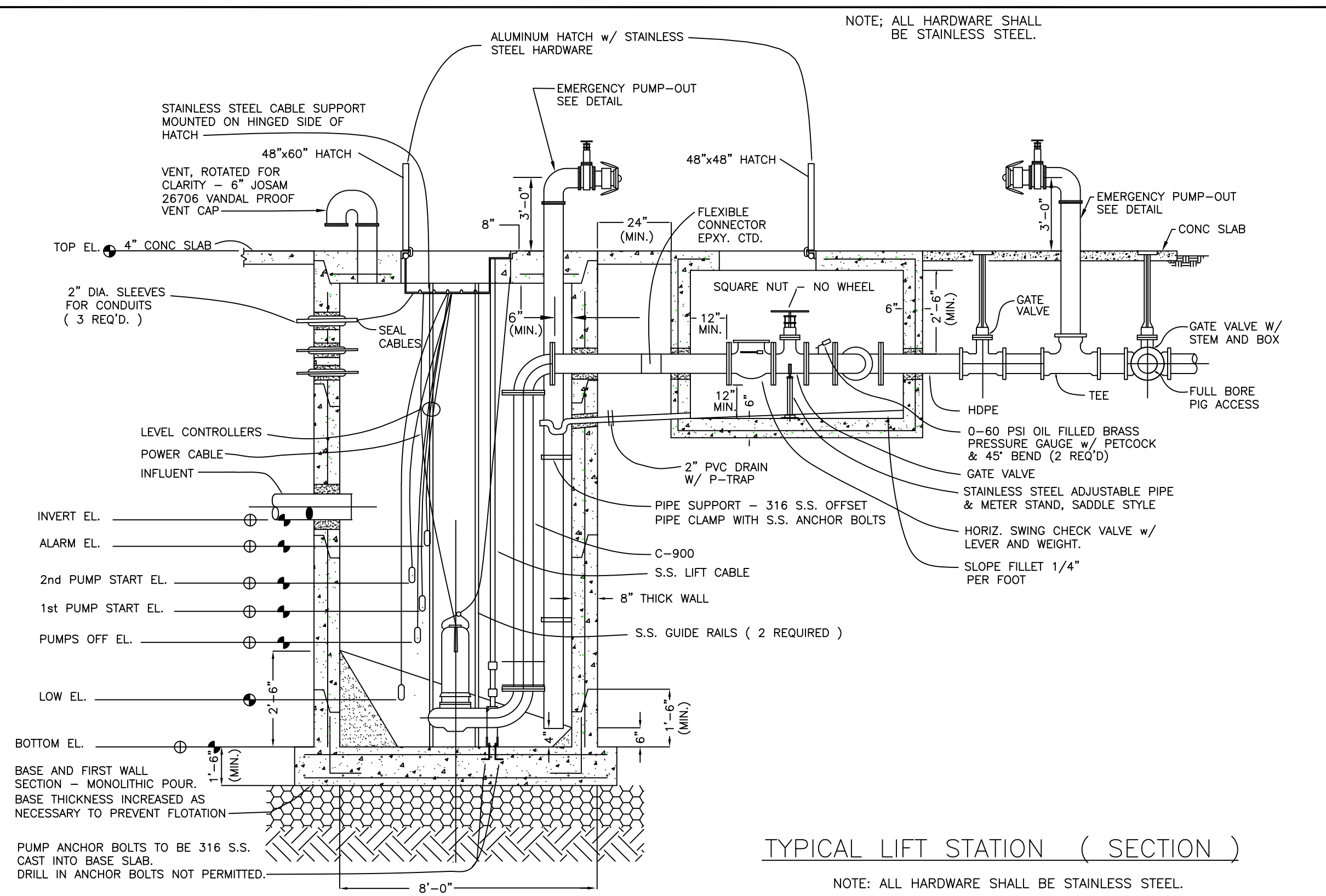
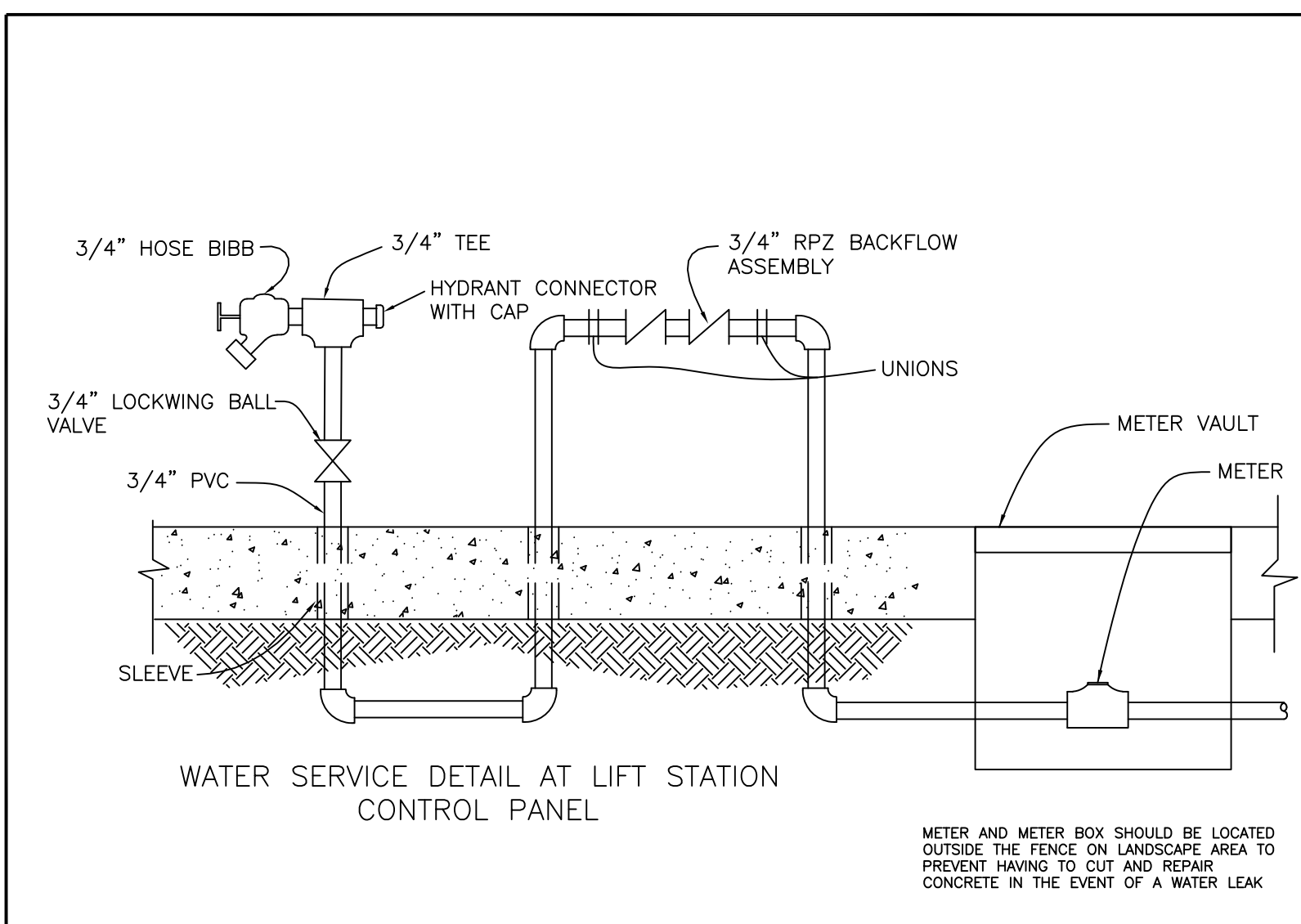
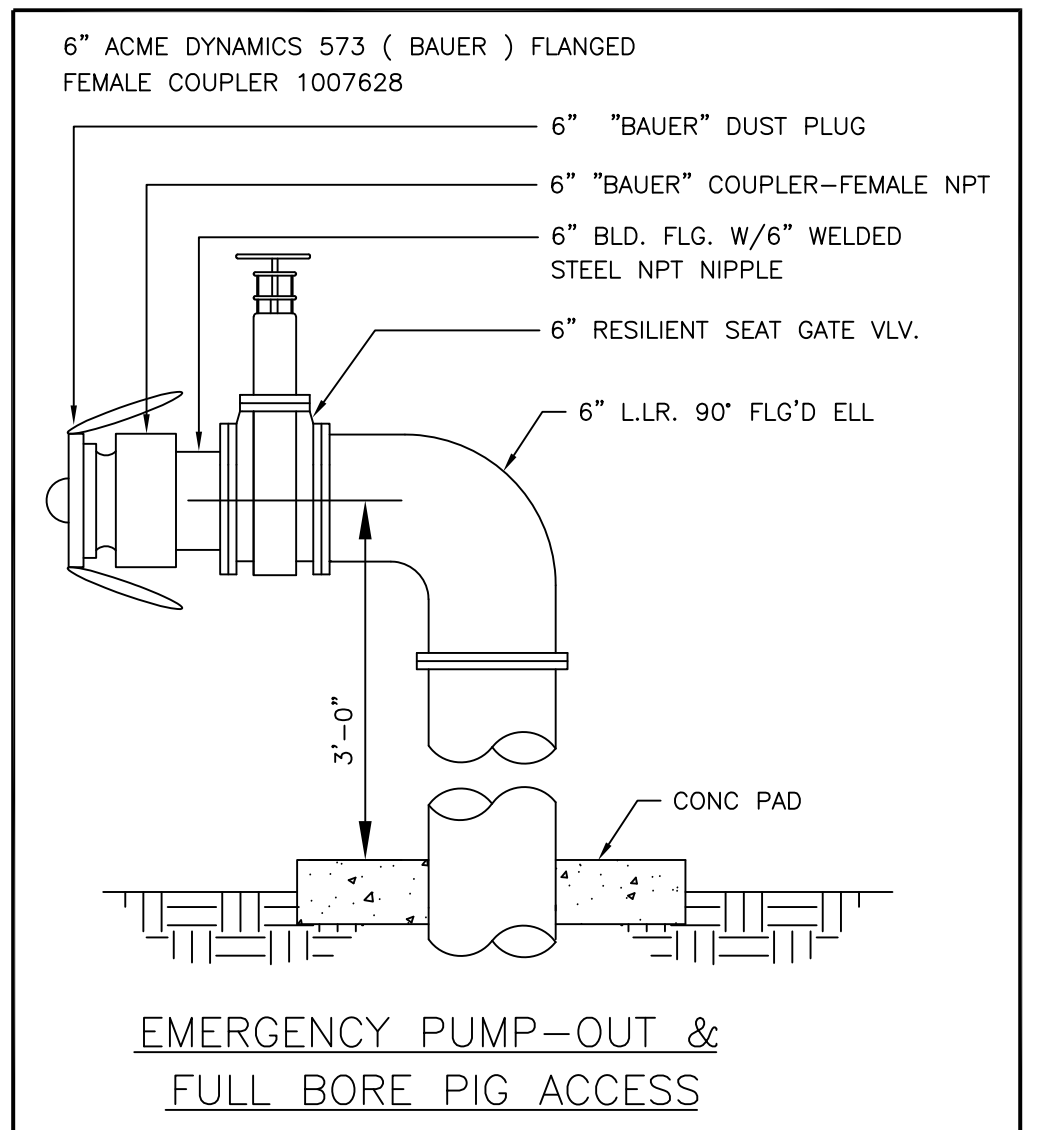
OPERATING CONDITIONS:

_____ GPM AT _____ TDH.

_____ % EFFICIENCY

WET WELL:

SIZED FOR MINIMUM PUMP CYCLE TIME OF _____ MINUTES AND A MAXIMUM OF _____ PUMP STARTS PER HOUR. WORKING DEPTH _____ FT. WORKING VOLUME _____ GALS.



ISSUE CODE

CITY OF LAKE WALES
 201 W. CENTRAL AVE. LAKE WALES, FLORIDA 33853

Jewel of the Ridge

ISSUE CODE	A PRELIMINARY	B DESIGN
C BIDS	D CONSTRUCTION	E APPROVAL
DESIGN: AND	CHK'D BY:	SCALE: NTS
		DATE:
DRAWN BY:	ENGR.	
DRAWING TITLE		
LIFT STATION WITH BYPASS PUMP		
JOB NO.		
AREA	REV.	
CITY-OF-LAKE-WALES		